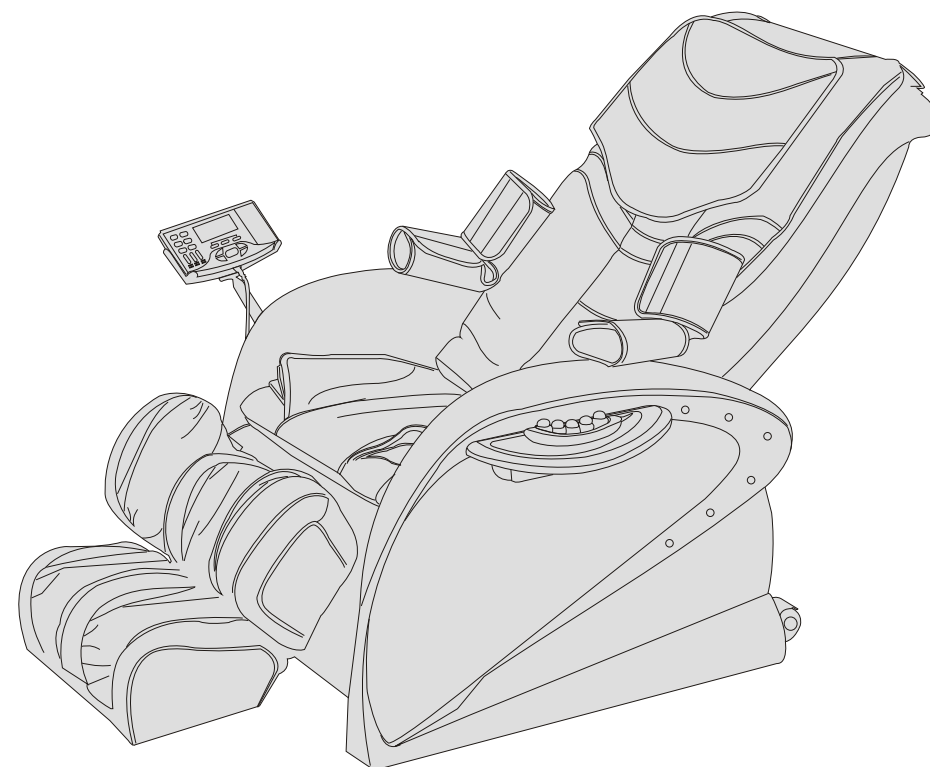


MASSAGE CHAIR **operation instructions**

SAVE THESE INSTRUCTIONS



Thanks for purchasing this product. Please read this manual instruction carefully in order to know how to use this product correctly before operation. Please pay more attention to some important safety warning and keep this manual book properly for future use. Note: Our Company reserves the right to revise the design and description of this product without any further notice. Please refer to the actual color of this product.

CONTENTS

Safety and maintenance	02
Name and function of components	04
Function & Efficacy	05
Method of usage	17
Product specification	17

IMPORTANT SAFETY WARNING.

- Don't allow children to touch moveable part of this product.
- Please use well-grounding power supply suited to this product.
- Please pull out the plug after use or before cleaning to avoid injury or damage to the product.
- Please operate this product according to this manual instruction.
- Don't use accessories which are not recommended.
- Don't use this product outdoors.
- Please read this manual instruction carefully before operation.
- Any other usage that is not listed in this manual instruction is forbidden.
- 15 minutes of usage each time is recommended.
- Please don't use it if the leather is broken or damaged.
- Please don't use it if the cover or leather is damaged.
- Please don't use it if the radiator hole is covered or blocked.
- Please don't drop anything into this product.
- Please don't fall asleep while using this product.
- Please don't use it if drunk or feel unwell.
- Please don't use it within one hour after having meal.
- Please don't make the massage function too strong for avoiding injury.

2. Environment for usage.

- Please don't use it under high temperature and moist environment such as bathroom.
- Please don't use it immediately while the environmental temperature changes sharply.
- Please don't use it under heavy-dusty or caustic environment
- Please don't use it where there is not enough space or not good ventilation.

3. People who are not suitable to use this product.

- People who are suffering from osteoporosis are not suitable to use this product.
- People who are suffering from heart disease or carrying electronic medical equipment such as heart pacemaker are not suitable to use this product.
- People who are suffering from fever are not suitable to use this product.

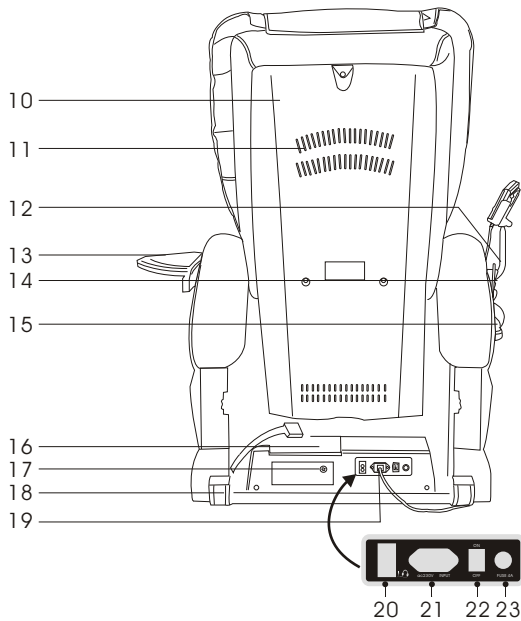
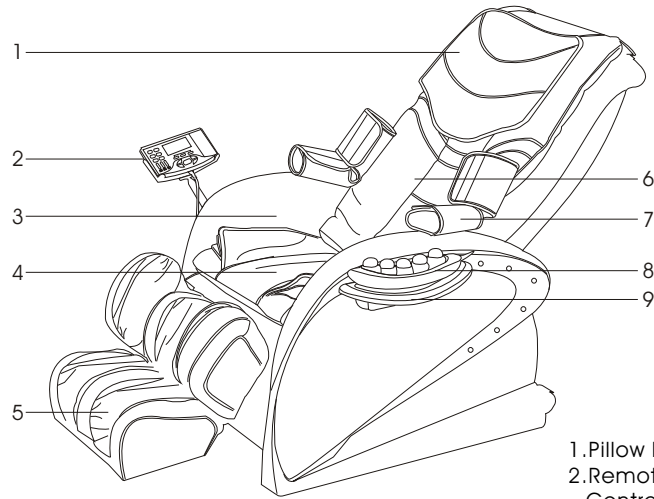
Safety and maintenance

- Pregnant women or women that are in menses period are not suitable to use this product.
 - People who got injured or skin disease are not suitable to use this product.
 - Children under twelve or people who are not able to operate this product are not suitable to use this product.
 - People who are told by doctor to have rest or people who feel unwell are not suitable to use this product.
 - People whose bodies are wet are forbidden to use this product.
 - People who is sensitive to heat.
- ### 4. Safety.
- Check the voltage if it is suitable to the specification of this product.
 - Don't use wet hand to pull the plug.
 - Don't make water go inside this product to avoid electric shock or cause damage to this product.
 - Don't damage the wires or change the circuit of this product.
 - Don't use wet cloth to clean the electric parts such as switch and plug.
 - Be away from this product under power cut state to avoid injury if the power comeback suddenly.
 - Stop using this product while it works abnormal, and please consult local agent immediately.
 - Stop using this product if you feel unwell, and please consult health care doctor.
- ### 5. Maintenance.
- This product should be maintained by certain appointed agents, users are prohibited to disassemble or maintain by themselves.
 - Please don't forget to cut the power after usage.
 - Don't use this product if the socket looses.
 - If this product will be left unused for long, please curl up the wires and reserve this product in dry and dustless environment.
 - Don't reserve this product under high temperature or near fire and avoid longtime direct sunshine.
 - Please clean this product by dry cloth. Don't use thinner, benzene or alcohol.
 - The mechanical components of this product are specially designed and made, it is not necessary to be specially maintained.
 - Don't use edged res to thrust this product.
 - Don't roll or pull this product above uneven ground, it should be lifted before moving.
 - Please use it intermittently; don't make this product work continuously for long.

6. Solution of ordinary malfunctions.

- It is nature movement voice if the motor sounds while in usage.
- If the controller can't work normally, please check the plug and socket if they are connected strongly and make sure the switch is turned on.
- If the rated working time is over, the product will automatically activate the power-off button; if this product works continuously for long, the temperature protector will make the product automatically power-off, it should be used again after half an hour's rest.

Name and function of components



1. Pillow Pad
2. Remote Controller
3. Armrest
4. Cushion
5. Calf & Foot rest
6. Back cushion
7. arms airbag
8. Jade Heater
9. Mini Tray
10. Backrest Cover
11. Fan Hole
12. Remote Controller Stand
13. Minitray Stand
14. Earphone Line
15. Earphone
16. Player(MP3)
17. holding heat Power plug
18. Back Wheel
19. Cable&Plug
20. Earphone Jack
21. Plug Jack
22. Switch
23. Fuse box

Function & Efficacy

Function

- Designed with a four-wheeler driven muted massage mechanism that Can move up and down in the backrest .
- Programmed with five kinds of emulational massage functions of Shiatsu, Kneading, flapping, knocking and synchronous kneading & flapping
- Designed characteristic auto massage function: relax, pressure relieving, fitness, comfort
- Massage state memory function; three massage state memory functions.
- Automatic massage for the upper body: (shoulder, waist two mode options)
- Offers manual massage for the upper body with three options of the overall, fixed and partial area with five levels of speed respectively. Under the massage modes of flapping, shiatsu and knocking, the width between the two massage hands can be adjusted in three levels of wide, middle and narrow.
- There are five airbags in the seat cushion offering types of air pressure massage.
- Arms air pressure massage function (four airbags inside).
- Vibrating massage function (three level vibration intensity in the buttock area: strong, weak, off)
- Mp3 music function: The music can be played both under turning on or awaiting situation. It is designed with volume adjustment function, previous and next song function.
- Back heating massage function: the cover of the temperature can reach 40-50°C, and use C-far infrared as power
- Feet heating massage function: The Max. temperature can be 40°C, and use C-far infrared as power
- Magnetism function: There are 8 pcs magnets with 300 gauss in both the calf and sole area
- Handed jade heating function; Preset function of the temperature between 40 to 70 degrees with 5 degrees intervals
- Lying angle adjustment function; Calf rest reclining and declining function; Backrest reclining and declining function
- Automatically sitting up function of the chair and automatically recovering function of the backrest mechanism when turning off the machine
- VFD displayer
- MP3 player, headphone, mini-tea table

Effectiveness

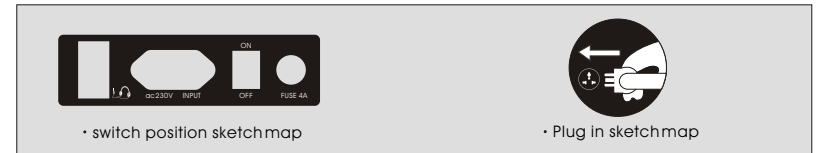
- Elimination of fatigue
- Promotion for blood circulation
- Relieve muscle fatigue
- Loosen tense muscles
- Relieve nerve pain
- Relieve muscle pain

Method of usage



Method of usage

I. Plug in.



II. Change the angle of backrest and foot rest as required. (Please don't Operate while massaging).

Backrest angle adjustment:

Backrest raise		Press this button and the backrest will raise slowly, loose the button and it will stop.
Backrest fall		Press this button and the backrest will fall slowly, loose the button and it will stop.

Foot rest angle adjustment:

Foot rest raise		press this button and the foot rest will raise, loose the button and it will stop.
Foot rest fall		press this button and the foot rest will fall, loose it and it will stop.

lies angle adjustment:

lies button		press this button, the whole frame will incline backward, loose the button and it will stop
Raise button		press this button, the whole frame will incline frontward, loose the button and it will stop

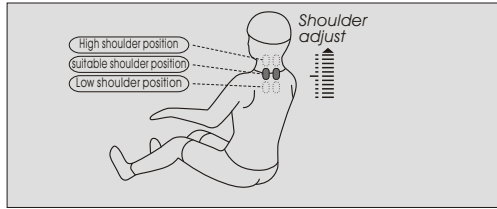
III. Start massage.

- ① Press the red button to start massage.
- ② Detect your upper body massage point, and then automatically detect your shoulder position. When finish, you can hear [di.di] sound. Now you can adjust should position. Press the functional massage button to start massage. Under shoulder position adjustment state, the memory function buttons A, B, C will glitter. Auto massage function buttons of the neck shoulder, back waist and lower body airbag massage button will keep on lighting. If press anyone of them and it will do massage as stored before..
- ③ If the massage mechanism of shoulder position does not fit well with the actual one, you can adjust through the up and down button. There are 5 grades of shoulder position.

	move the mechanism upward to reach the shoulder.
	move the mechanism downward to reach the shoulder.

Method of usage

Suitable shoulder position



④ Press the functional massage button to start massage.

A)Memory function massage:

Under shoulder position adjustment state, the memory function buttons A, B, C will glitter. Press anyone of them and it will do massage as stored before. The memory function button will keep on lighting.



B)Characteristic auto massage, auto upperbody massage, auto lower body massage:.

Name	Button	Massage function	Massage feature	Display status
Characteristic auto massage		Comfort Massage	activate the blood circulation	Auto 01
		Relax Massage	Relax the whole body	Auto 02
		Fitness Massage	Deep massage of the point, relax the ache muscle	Auto 03
		Pressure relieving Massage	Improve the body's fatigue, make the body active	Auto 04
Auto massage		neck shoulder massage	Mainly massage the neck, shoulder area	Auto F1
		back waist massage	mainly massage the back waist area	Auto F2

Method of usage

Name	Button	Massage function	Massage feature	Display status
Auto massage		Lower body pressure massage Intensity can be adjust	Mainly massage the feet, calf, leg and buttock	Lower body

C) upper body manual massage :

Function	Button	Description, display stufas	Massage balls adjustment
Measure	Knocking		Speed , strength, width
	Shiatsu		Speed ,width, strength
	Kneading		Speed,strength
	Flapping		Speed, width, strength
	Kneading &flapping		Speed, width

Speed		Speed 5 speed options available
Width		Width 3 width options available

Backrest stretch		Fixed position (fixed) massage	
		Small area(partial) trip massage	
		Upper body(overall) trip massage	
Button		Display status	Adjust massage balls

Function:Massage position adjustment (the massage position can be adjusted under fixed and partial modes)

		Mechanism up	
		Mechanism down	

Method of usage

Lower body air pressure manual massage

Function	Button	Description, display status	Speciality
Lower body		Lower body air pressure massage Lower body	Two intensity options adjustment
Feet		only foot&calf area air pressure massage Foot&Calf	Two intensity options adjustment
buttock		only buttocks air pressure massage Buttocks	Two intensity options adjustment
Intensity		Lower body air pressure massage intensity adjustment 	

d) other manual functions

Function	Button	Description, display status	Speciality
Vibration		Buttocks vibrating 	Two intensity options adjustment
Arm		Arm pressure massage Mainly for both arm area	

Function	Button	Description, display status	Speciality
Backrest Heating		Far-infrared heating therapy in the back, you can feel damp heat when you turn it on 3 mins later 	
Feet area heating		Far-infrared heating for feet area 	

Function	Button	Description, display status	Speciality
Handed heater		Handed heater switch 	
		Increase the temperature, the highest is 70 degrees 	Increase in 5 degrees
		Decrease the temperature, the lowest is 40 degrees 	Decrease in 5 degrees

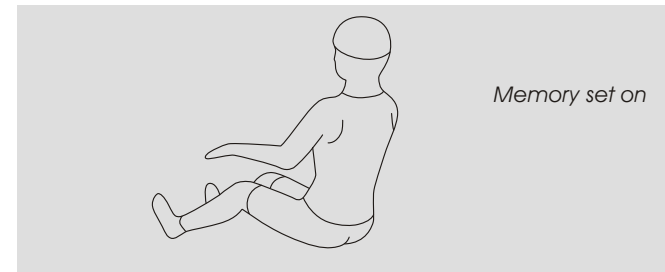
Function	Button	Description, display status	Speciality
Music play		Music on/off figure 	Music play under bootstrap or awaiting work
		Previous song 	
		Next song 	
		Volume increase 	
		Volume decrease 	

Method of usage

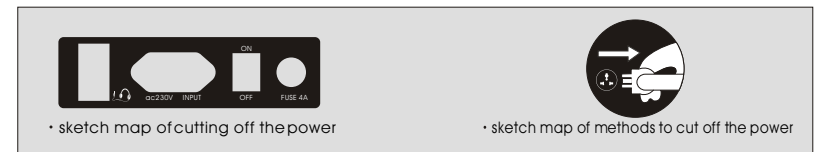
IV. Turn off the power, and stop the massage.

① During massage, press the red power button to stop all massage functions, the backrest and footrest will automatically return to the original state.

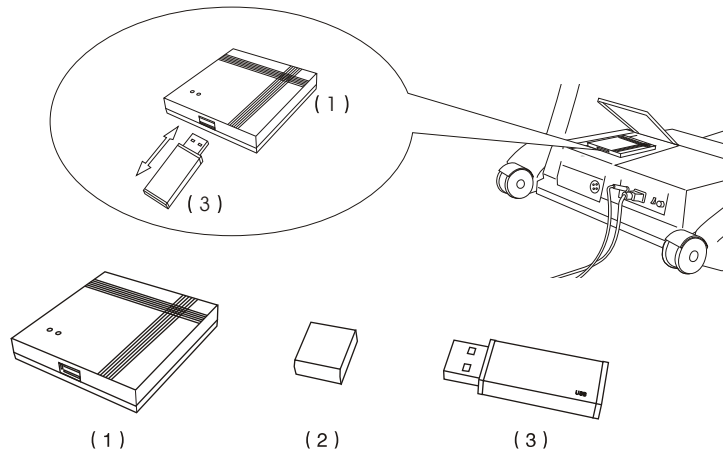
② Memo buttons A, B, C flashing, press any of the memo buttons to save the massage start before it finishes. The VFD control will display Memory Set On. Or you can turn off the red button to cut the power, the massage mechanism can restore. Or you can wait 10min, it can be turned off automatically and the massage mechanism can restore.



③ Cut off the power



Method of usage



(1) MP3 player

(2) U-disk front cover

(3) U-disk

How to download mp3 music :

1. Turn off the power of massage chair .
2. Pull out the u-disk from the MP3 player .
3. Insert the u-disk into USB port of PC (Windows Xp、 Windows 2000、 WindowsNT.)
4. Download your favorite MP3 format music into U-disk .if fails , please firstly format the disk.
5. Delete the USB Mass Storage Device on the PC after complete download .
6. Pull out the U-disk from PC
7. Insert U-disk to the USB port of MP3 player
8. Now MP3 music was renewed . you may turn on the power of massage chair .

Note :

1. If fails to play MP3 music ,please firstly format the U-disk on PC before download.Then follow the instruction to insert the U-disk into USB port of MP3 player.
2. Except the U-disk, do not remove or loose the MP3 player .

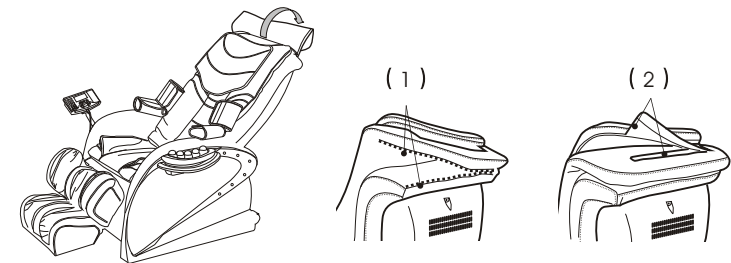
Method of usage

3.THE PADDING AND BACK CUSHION ASSEMBLING AND OPERATION

Using the cushion which can reduce the neck & shoulder kneading massage of the pillow, can determine according to your demands whether to use the pillow cushion or not (recommend using the pillow cushion).

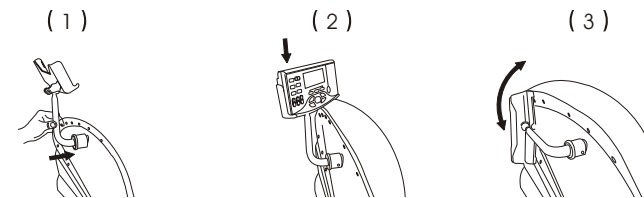
backs of cushions connect back through zipper (1) pillow cushion and back through its spike joining to glue cushion (2)

Warn: Can't raise the back cushion to use, in case that cause the injury to you.

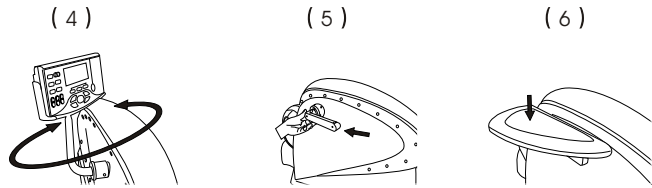


4.INSTALLATION AND USE OF THE CONTROLLER AND TEA TABLETRAY

Install the controller shelf on the massage chair (1) Insert the controller shelf in the controller shelf (2) The control can rotate freely and vertically (3) The control can rotate freely and horizontally (4) Install the tea table tray on the massage chair (5) Put the tea table tray on the shelf (6)

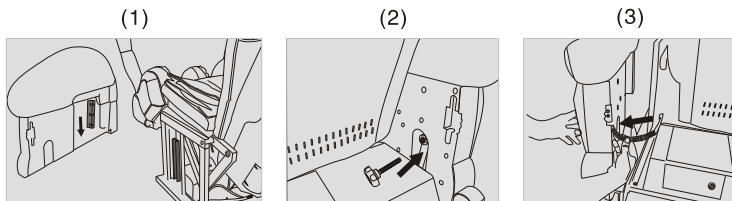


Method of usage



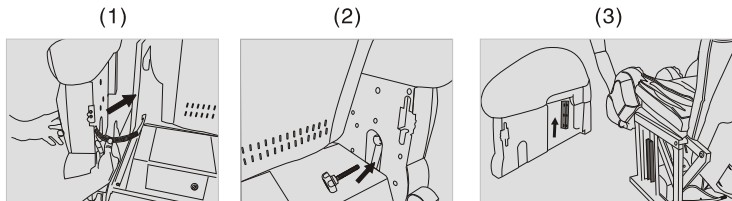
5. INSTALL THE ARM AND CALF ARREST ON THE MASSAGE CHAIR.

- (1) One person lifts the calf and another lifts the armrest, let the armrest runner insert the one in the frame
- (2) Fix the screw under the back position of the armrest
- (3) Fix the connection part of the arm airbag into the runner of armrest, then cover the small cover board

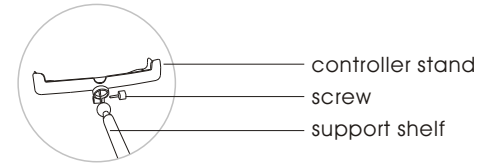


6. DISASSEMBLY THE ARM AND CALF ARREST AND ITS USAGE

- (1) open the small cover board, take out the connection
- (2) loosen the screw
- (3) One person lifts the calf and another lifts the armrest, let the armrest runner out of the runner


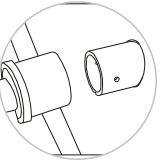
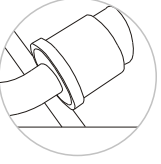

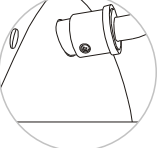


Method of usage



1. Prepare the tray of the manual control box, as well as the metal supporting rod. First, take out the fixed screws on the tray of the manual control box for future use.
2. Insert the ball head of the supporting rod into the concave spherical surface of the tray of the manual control box.
3. Firmly tighten the screws taken out in the first step again. Pay attention to the screwing direction: from right to left.
4. Prepare the cylindrical fixed tube.
5. Insert the cylindrical fixed tube into the reserved hole of the right armrest, remembering that the three holes in the fixed tube should correspond to those on the flange of the armrest respectively.

Method of usage

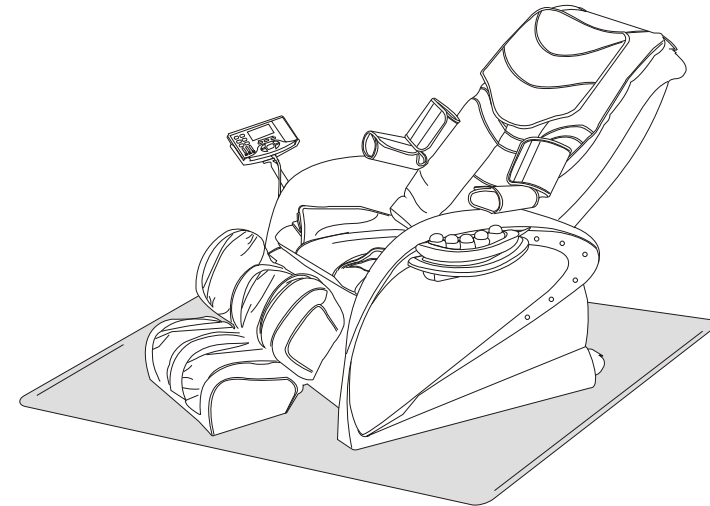
- 6  6. Tighten the three screws.
- 7  7. Prepare the components of the bracket of the manual control box, which have been assembled in the third step.
- 8  8. Insert the components of the bracket of the manual control box into the cylindrical fixed tube, remembering that inside and outside sets of mounting holes should correspond to each other.
- 9  9. Prepare two screws to be fastened on each side.
- 10  10. Screw the two screws on each side to end the installation.

Method of usage

7. FLOOR PROTECTION

Put the heavy massage chairs on the wood floor for a long time may damage the floor, so please place a carpet or other object to avoid this damage.

Caution: Do not move the chairs with its wheels on wood floor, rough ground or in a narrow space. Two people are required to lift the chair.



Product specification

Name: Massage chair

Input Voltage: AC110-120V 60Hz

AC220-240V 50Hz

The maximum power: 300W

Safety structure: Type I

Material introduction: PVC, PA, steel parts and electric & electron parts

MATERIAL	PU	LEATHER	CLOTH	WOOD